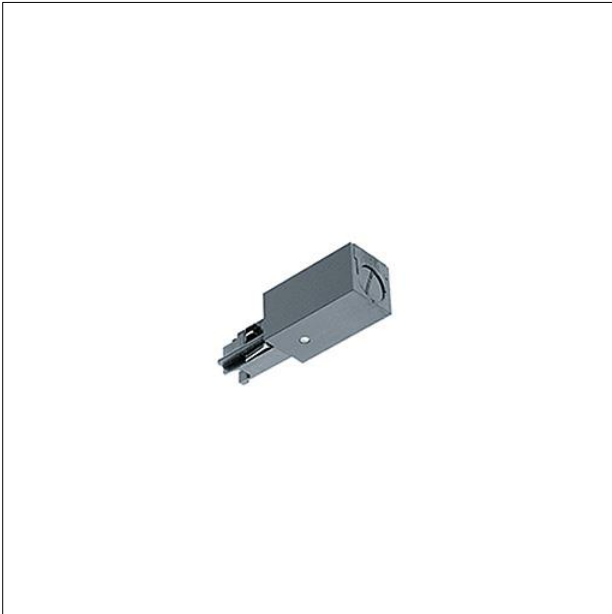
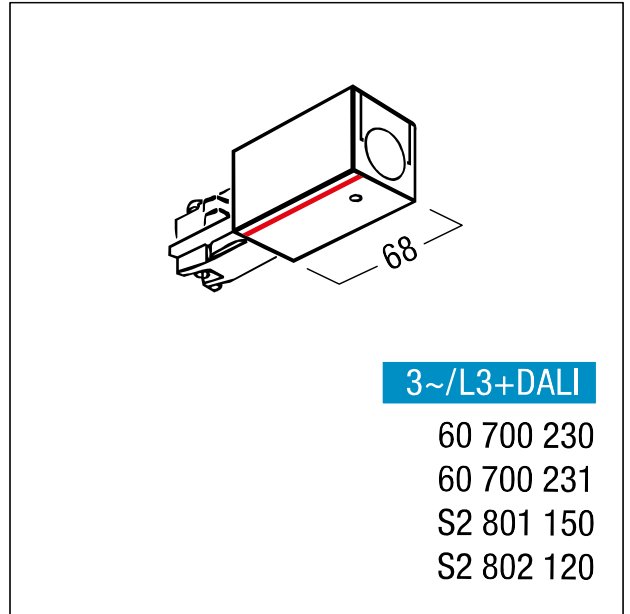


initial feed protect. conductor left

Initial feed protect. conductor left, black; protective earth conductor on left; polarity key on right; polycarbonate plastic parts; cable entry at ends and on rear of track; maximum current load: 16A per phase; installed dimensions: 68x34x34 mm; overall dimensions: 110x34x34 mm



ZS_TRE_F_3PH_EINSP_BK.jpg



ZS_STS_M_EINSP-L_L3.wmf