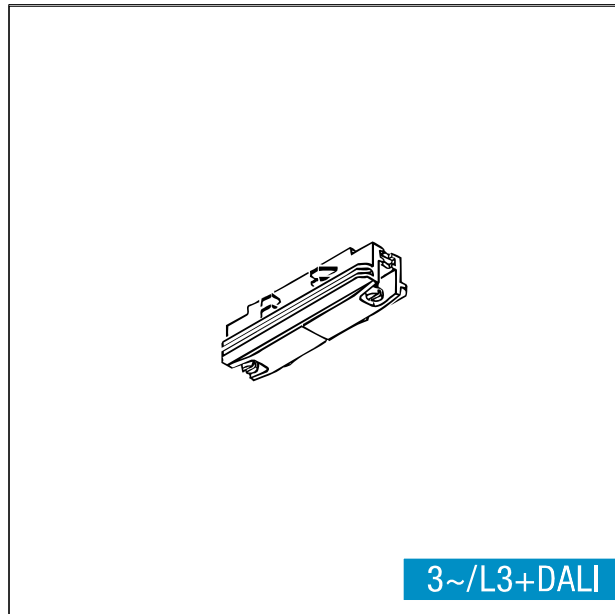


3-phase/L3+DALI connector

3-phase/L3+DALI connector, black; for electrical connection without gap of two tracks; plastic components made of polycarbonate; dimensions: 84x84x27 mm



ZS_ST5_F_Verbinder.jpg



ZS_ST5_M_Verbinder_L3.wmf